



MAX Orbit 2



MAX Orbit 4



MAX Orbit 8



MAX rbit Series

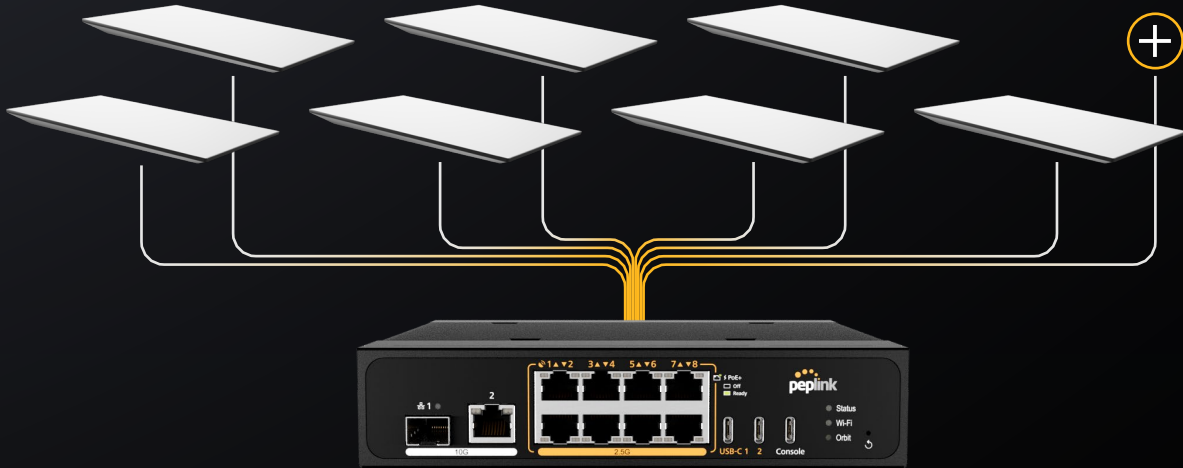
Purpose-Built for Robust Multi-Orbit Connectivity



Multi-Terminal Bonding

Scales Bandwidth and Reliability

A single satellite terminal can't always deliver the bandwidth or reliability that serious operations demand. MAX Orbit lets you **combine multiple Starlink, OneWeb, or other connections for greater speed and reliability.**



Bond Multiple Satellite Connections

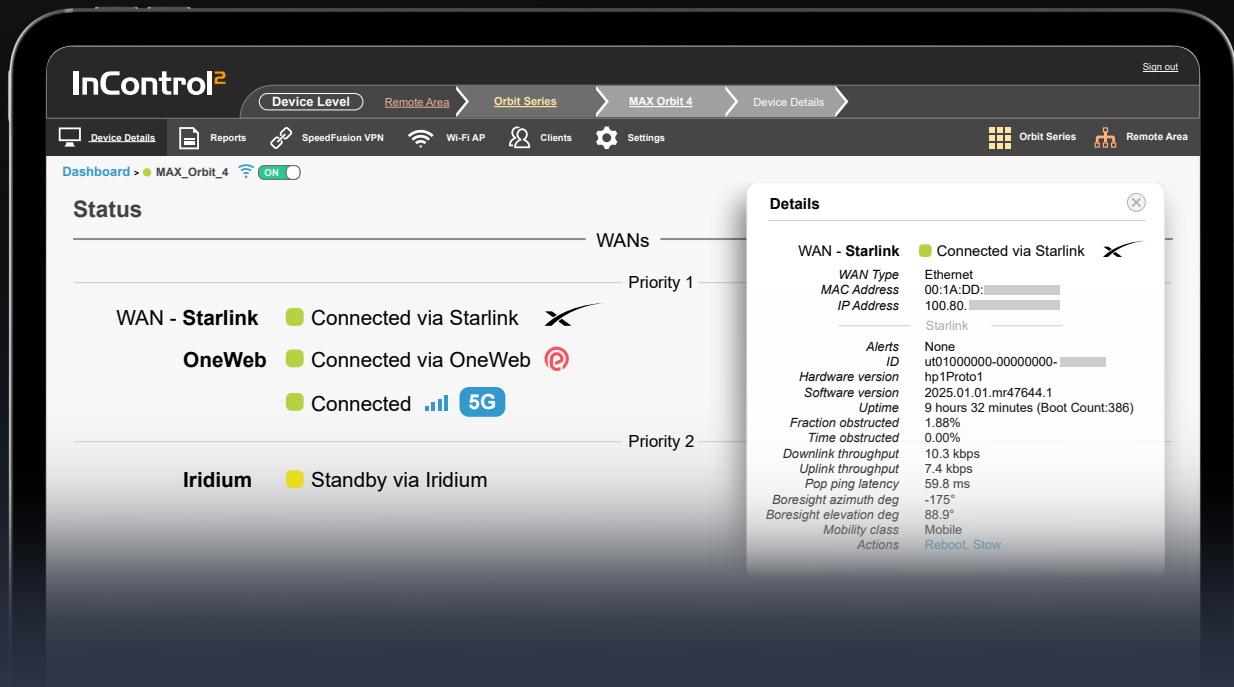
Every Satellite Network Managed from **One Place**

No need to hop portals. Peplink can manage **Starlink, OneWeb, and Iridium**, via **InControl** for unified cloud-based management.

STARLINK

OneWeb

iridium





Satellite
Connectivity



SpeedFusion Boost

Keep Multi-Orbit Networks Running at Full Speed

Don't let satellite handovers, obstructions, or bad weather slow you down. SpeedFusion Boost prevents unstable satellite links from dragging down overall throughput, keeping your bonded multi-orbit networks fast, smooth, and efficient.

SpeedFusion Score

Optimize Your Multi-Orbit Deployment

Available in InControl, SpeedFusion Score continuously evaluates the health, resilience, and performance of your bonded networks. Use these insights to instantly identify performance gaps and uncover opportunities for improvement. By adding more WAN connections and enabling additional SpeedFusion features, you can improve overall network performance and achieve a higher score.



Critical

Poor

Fair

Good

Strong

Excellent



91

QUALITY

Poor



SpeedFusion Boost

Smoothing



321

QUALITY

Excellent



SpeedFusion Boost

Smoothing

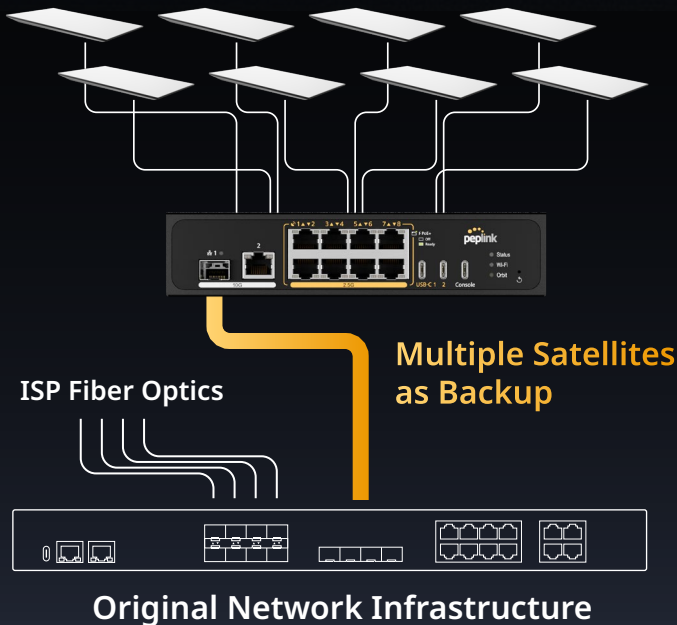
5G + Satellite for Expanded Capabilities

Expand uptime and performance while balancing cost by combining 5G and satellite bandwidth. Avoid overages and use each connection most efficiently.



Back Anything Up, Anywhere

Back up critical fiber-optic links for cellular towers, ISPs, warehouses, datacenters, energy & mining and any location that needs high reliability backup connectivity by bonding multiple satellite terminals and multiple networks.



Built to Go Places

Whether it's a mobile command unit, shipping vessel or a field deployment that relocates every week, MAX Orbit is engineered for life outside the server room. Integrated **GPS, rugged hardware, and vibration-tolerant design** mean you can have reliable multi-orbit connectivity anywhere you go.



MAX Orbit 2



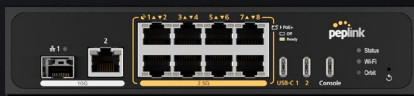
GPS



Rugged



Vibration



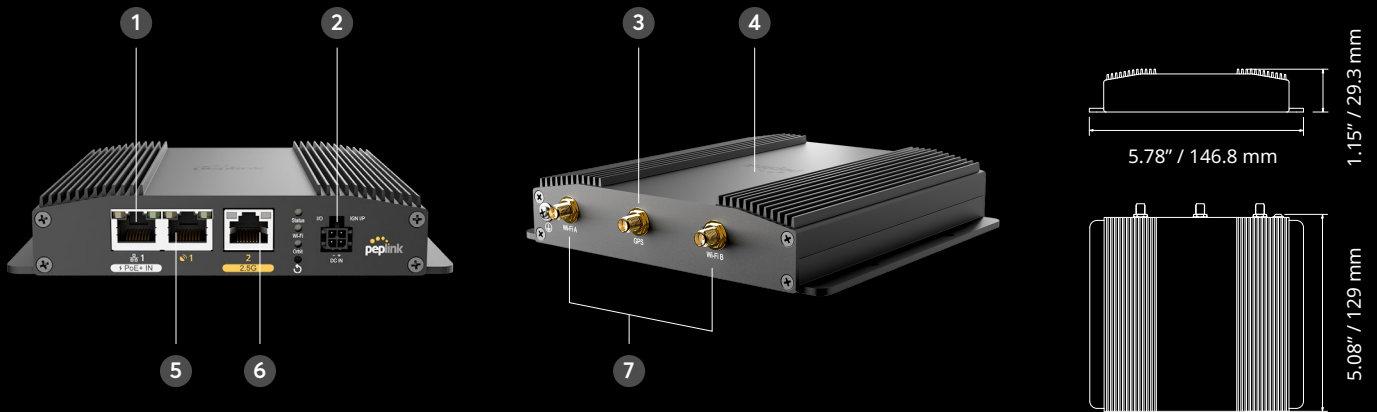
MAX Orbit 8



MAX Orbit 4



MAX Orbit 2



- 1 1G LAN Port with 802.3at PoE+ Input
- 2 4-Pin Micro-Fit Connector with GPIO & Ignition Sensing
- 3 GPS Connector
- 4 Wi-Fi 6
- 5 1G Orbit Port
- 6 2.5G Orbit Port
- 7 Wi-Fi Connectors

Interfaces & Connectivity

WAN Interface

1x 2.5G Multi-Gig Ethernet ^{1 2}
1x 1G Ethernet ²

Wi-Fi Interface

Simultaneous Dual-Band
(2.4GHz / 5GHz)
Wi-Fi 6 2x2 MU-MIMO
Wi-Fi WAN and/or AP

LAN Interface

1x 1G Ethernet ²

Antenna Connectors

2x RP-SMA Wi-Fi Antenna Connectors,
1x SMA GPS Antenna Connector

Performance, Capacity & Edge Compute

Router Throughput

1 Gbps

Edge Computing

Docker (8GB Internal Storage)

Recommended Users

1 – 150

AP & Switch Controller

Standard (max. 30 / 50 ⁴)

Power Specifications

Power Consumption

9W (nominal) / 11W (max.)

Power Input

AC Adapter: AC Input 100V – 240V /
DC Output 12V
4-Pin Micro-Fit Connector: 10V – 30V DC
Power over Ethernet 802.3at

SpeedFusion™

VPN Throughput

No Encryption - 400 Mbps
256-bit AES - 200 Mbps

VPN Peers

2 / 5 / 10 / 20 ³

Technologies

Hot Failover, Smoothing,
Bandwidth Bonding,
SpeedFusion Boost

Physical & Environmental

Dimensions

5.78 x 5.08 x 1.15 inches /
146.8 x 129 x 29.3 mm

Weight

1.21 pounds / 550 grams

Operating Temperature

-40° – 149°F / -40° – 65°C

Humidity

15% – 95% (non-condensing)

Compliance, Package & Warranty

Certifications

FCC, CE, RoHS, REACH,
TAA

Warranty

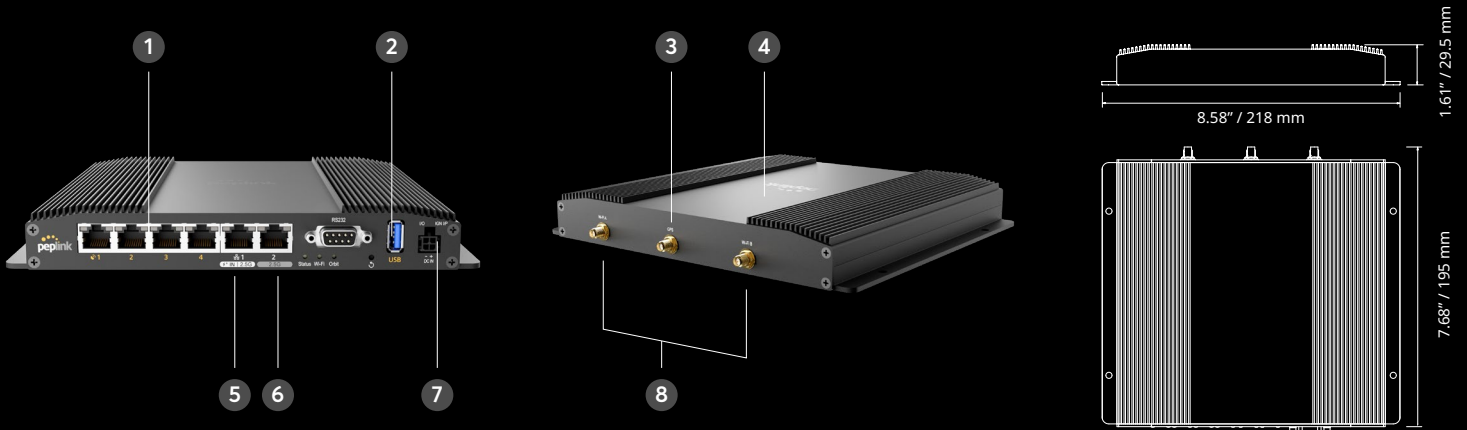
1-Year Limited Warranty

Package Content

1x MAX Orbit 2
1x 12V DC, 2A 4-Pin Power
Supply
2x Dual Band Wi-Fi Antennas
1x GPS Active Antenna

¹The 2.5G port is backward compatible with GE and FE. ²Ethernet ports include surge and ESD protection circuits to protect against over-voltage transients.
³5 SpeedFusion VPN Peers are enabled with PrimeCare Subscription. 10 or 20 SpeedFusion VPN peers can be enabled with software license (PVN-LC-10 and PVN-LC-20).
⁴Available as a license add-on (AP-LC-50).

MAX Orbit 4



- 1 4x 1G Orbit Ports
- 2 USB 3.0
- 3 GPS Connector
- 4 Wi-Fi 6
- 5 2.5G WAN/LAN Port with 802.3at PoE+ Input
- 6 2.5G WAN/LAN Port
- 7 4-Pin Micro-Fit Connector with GPIO & Ignition Sensing
- 8 Wi-Fi Connectors

Interfaces & Connectivity

WAN Interface

4x 1G Ethernet
1x USB 3.0 Interface

LAN Interface

2x 2.5G Multi-Gig Ethernet ^{1 2}

Wi-Fi Interface

Simultaneous Dual-Band
(2.4GHz / 5GHz)
Wi-Fi 6 2x2 MU-MIMO
Wi-Fi WAN and/or AP

Antenna Connectors

2x RP-SMA Wi-Fi Antenna Connectors,
1x SMA GPS Antenna Connector

Performance, Capacity & Edge Compute

Router Throughput

1 Gbps

Recommended Users

1 – 150

Edge Computing

Docker (8GB Internal Storage /
External Storage via USB Port)

AP & Switch Controller

Standard (max. 30 / 50 ⁴)

Power Specifications

Power Consumption

11W (nominal) /
14W (max. without USB Output)

Power Input

AC Adapter: AC Input 100V – 240V /
DC Output 12V
4-Pin Micro-Fit Connector: 10V – 30V DC
Power over Ethernet 802.3at

SpeedFusion™

VPN Throughput

No Encryption - 400 Mbps
256-bit AES - 200 Mbps

Technologies

Hot Failover, Smoothing,
Bandwidth Bonding,
SpeedFusion Boost

VPN Peers

2 / 5 / 10 / 20 ³

Physical & Environmental

Dimensions

8.58 x 7.68 x 1.61 inches /
218 x 195 x 29.5 mm

Weight

2.03 pounds / 924 grams

Operating Temperature

-40° – 149°F / -40° – 65°C

Humidity

15% – 95% (non-condensing)

Compliance, Package & Warranty

Certifications

FCC, CE, RoHS, REACH,
TAA

Package Content

1x MAX Orbit 4
1x 12V DC, 3A 4-Pin Power
Supply
2x Dual Band Wi-Fi Antennas
1x GPS Antenna

Warranty

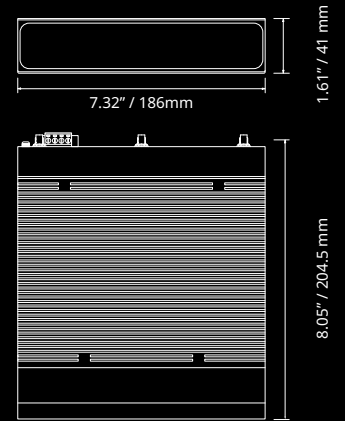
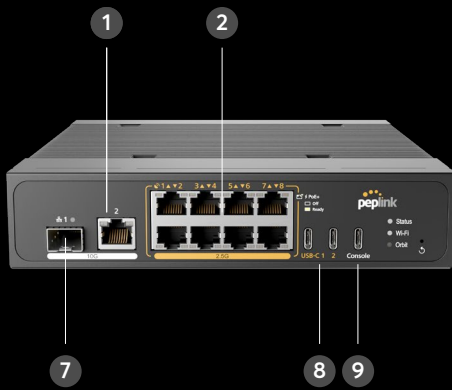
1-Year Limited Warranty

¹ 2.5G ports are backward compatible with GE and FE. ² LAN ports can be configured for WAN or LAN via the Web Admin.

³ 5 SpeedFusion VPN Peers are enabled with PrimeCare Subscription. 10 or 20 SpeedFusion VPN peers can be enabled with software license (PVN-LC-10 and PVN-LC-20).

⁴ Available as a license add-on (AP-LC-50).

MAX Orbit 8



- 1 10G WAN/LAN Port
- 2 8x 2.5G Orbit Ports with 802.3at PoE+ Output
- 3 GPS Connector
- 4 2x 54V DC Connectors
- 5 12 - 54V DC Terminal Block
- 6 Wi-Fi 7
- 7 10G SFP+ WAN/LAN Port
- 8 2x USB-C WAN
- 9 Console Port
- 10 Wi-Fi Connectors

Interfaces & Connectivity

WAN Interface 8x 2.5G Multi-Gig Ethernet ¹ 2x USB-C Interface	LAN Interface 1x 10G Multi-Gig Ethernet ^{1,2} 1x 10G SFP+ ²
Wi-Fi Interface Simultaneous Dual-Band (2.4GHz / 5GHz) Wi-Fi 7 2x2 MIMO Wi-Fi WAN and/or AP	Antenna Connectors 2x RP-SMA Wi-Fi Antenna Connectors, 1x SMA GPS Antenna Connector

Performance, Capacity & Edge Compute

Router Throughput 4 Gbps	Recommended Users 50 – 500
Edge Computing Docker (8GB Internal Storage / External Storage via USB Port)	AP & Switch Controller Standard (max. 30 / 50 ⁴)

Power Specifications

Power Consumption 25W (nominal) / 50W (max. without PoE and USB-C Output)	Power Input 2x Power DIN: 54V DC AC Adapter: AC Input 100V – 240V / DC Output 54V Terminal Block: 12V – 54V DC
Power Output Up to 8x 802.3at PoE+ ⁵	Total PoE Power Budget 240W

SpeedFusion™

VPN Throughput No Encryption - 1 Gbps 256-bit AES - 1 Gbps	Technologies Hot Failover, Smoothing, Bandwidth Bonding, SpeedFusion Boost
VPN Peers 2 / 30 ³	

Physical & Environmental

Dimensions 7.32 x 8.05 x 1.61 inches / 186 x 204.5 x 41 mm	Weight 7.58 pounds / 3.44 kg
Operating Temperature -40° – 149°F / -40° – 65°C	Humidity 15% – 95% (non-condensing)

Compliance, Package & Warranty

Certifications FCC, CE, RoHS, REACH, TAA	Package Content 1x MAX Orbit 8 1x 54V DC, 5.19A Power Supply 2x Dual Band Wi-Fi Antennas 1x GPS Active Antenna 1x Ear Rack Mount Kit with screws 1x Rubber Foot Pad Set
Warranty 1-Year Limited Warranty	

¹ 10G ports are backward compatible with 5G, 2.5G, GE, and FE; 2.5G ports are backward compatible with GE and FE.
² LAN ports can be configured for WAN or LAN via the Web Admin. ³ Requires a PrimeCare subscription, complimentary for the first year.
⁴ Available as a license add-on (AP-LC-50). ⁵ A DC input voltage of 50V – 54V is required to enable PoE output.

Ordering Information

Product Code	Description
MAX-ORB-2-T-PRM	MAX Orbit 2
MAX-ORB-4-T-PRM	MAX Orbit 4
MAX-ORB-8-T-PRM	MAX Orbit 8

Featured Add-on

Product Code	Description
PRM-B-1Y / PCP-B-1Y	PrimeCare B / PrimeCare+ B (1-Year)
PRM-B-2Y / PCP-B-2Y	PrimeCare B / PrimeCare+ B (2-Year)
PRM-B-4Y / PCP-B-4Y	PrimeCare B / PrimeCare+ B (4-Year) <ul style="list-style-type: none">• Available for MAX Orbit 2
PRM-D-1Y / PCP-D-1Y	PrimeCare D / PrimeCare+ D (1-Year)
PRM-D-2Y / PCP-D-2Y	PrimeCare D / PrimeCare+ D (2-Year)
PRM-D-4Y / PCP-D-4Y	PrimeCare D / PrimeCare+ D (4-Year) <ul style="list-style-type: none">• Available for MAX Orbit 4
PRM-E-1Y / PCP-E-1Y	PrimeCare E / PrimeCare+ E (1-Year)
PRM-E-2Y / PCP-E-2Y	PrimeCare E / PrimeCare+ E (2-Year)
PRM-E-4Y / PCP-E-4Y	PrimeCare E / PrimeCare+ E (4-Year) <ul style="list-style-type: none">• Available for MAX Orbit 8