

## Product Highlights

### Performance

- 7130LBR: 48 x SFP+ or SFP28, 6 x QSFP-DD (8x 10/25G NRZ each)
- 96 x 10/25GbE, 18 x 25GbE internal switch interfaces
- Up to 1.5 Tbps L2/L3 forwarding via J2C
- L1 replication from 6ns
- Dual Xilinx Virtex® UltraScale+™ FPGAs

### Core Features

- Ultra low latency layer 1 crosspoint
- Full-featured integrated switch
- Dual application FPGAs
- High performance x86 control-plane

### Advanced L1 Functionality

- Signal regeneration
- Media conversion
- Port mirroring
- Telemetry
- Dynamic patching/link management
- Layer 1+ statistics on each link

### Integrated Switch

- Wire-speed L2/L3 forwarding
- BGP/OSPF/PIM support
- LANZ for microburst detection
- 4 GB packet buffer
- Tap aggregation mode
- Precision time stamping
- Streaming telemetry

### Redundancy & Data Center Optimized

- High-density, compact 1RU form-factor
- Dual redundant, hot swappable PSU
- Dual redundant, hot swappable fans
- AC & DC power options
- Rear to front or front to rear cooling

### Arista Extensible Operating System

- Single binary image for all products
- Fine-grained truly modular network OS
- Stateful Fault Containment (SFC)
- Stateful Fault Repair (SFR)
- Full Access to Linux shell and tools
- Extensible platform - bash, python, C++ , GO, OpenConfig
- FPGA Development Kit for custom in-network applications

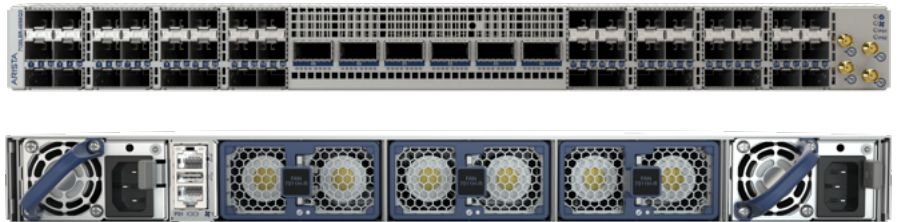
## Overview

The Arista 7130LBR Series introduces a fully composable architecture for the next generation of high performance in-network applications. Combining programmable large-scale FPGAs with a full-featured R3 family switch chip, all connected through an ultra-low latency layer 1 crosspoint. With native support for 1:N connectivity and replication, each front-panel lane can be connected to any combination of two FPGAs and the switch chip enabling customers to combine multiple applications and utilise the inherent capabilities of the switching silicon.

Featuring dual Virtex® UltraScale+™ FPGAs, the 7130LBR Series supports two parallel application instances based on Arista's LB Board Standard. Arista applications including MetaMux for low latency multiplexing and MetaWatch for picosecond-level time stamping can be combined with third party applications and custom functionality developed with the EOS FPGA Development Kit (FDK). The FDK builds upon EOS's extensible architecture and includes example code and IP cores to accelerate new projects.

The 7130LBR Series includes an R3 generation switch element supporting line-rate L2/L3 forwarding and a complete set of advanced routing features. Using the layer 1 crosspoint, these switch ports can be flexibly configured in-band or out-of-band. In-band ports enable high-bandwidth switching & routing capability, and out-of-band ports provide rich streaming telemetry, offloading FPGA resources. The switch can also be configured in tap aggregation mode, leveraging the Arista DANZ feature set.

The 7130LBR is available in a space-saving 1RU form factor with 48 x SFP+/SFP28 and 6 x QSFP-DD interfaces (NRZ). Each QSFP-DD interface may be broken out to 2 x 40GbE or 8 x 10/25GbE interfaces, for a total of 96 x 10/25G lanes.



*Arista 7130LBR: 48x SFP+ or SFP28, 6 x QSFP-DD ports*

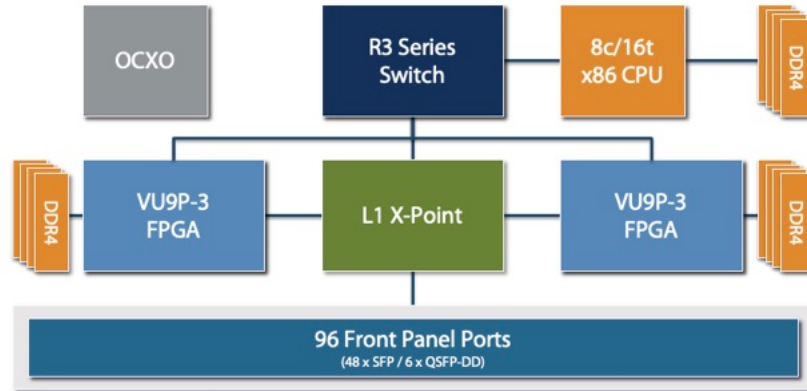
## Arista EOS

All Arista products including the 7130LBR Series run the same Arista EOS software, simplifying network administration with a single standard across all switches. Arista EOS is a modular switch operating system with a unique state sharing architecture that cleanly separates switch state from protocol processing and application logic. Built on top of a standard Linux kernel, all EOS processes run in their own protected memory space and exchange state through an in-memory database. This state sharing architecture provides the foundation for self-healing resiliency and enables straightforward third-party development and application integration.

Arista EOS enables advanced monitoring and automation capabilities such as Zero Touch Provisioning, LANZ, and Linux based tools to be run natively on the switch.

## Composable Architecture

To address dynamic application requirements, the 7130LBR features a composable architecture centered around a high-density layer 1 crosspoint. Through the crosspoint any front-panel port can be linked 1:1 or mirrored to any of the platform components. The R-Series switch can be used as a standard in-band device, or traffic can be replicated to it for counters and streaming telemetry. FPGAs support Arista's 7130 applications, third-party developed images and customer applications.



Arista 7130LBR System Architecture

## 7130 FPGA Applications

Arista offers several powerful network applications to simplify and transform network infrastructure. These applications are designed for use cases including ultra-low latency exchange trading, network visibility and vendor- or broker-based shared services. These applications enable a complete lifecycle of networking functions, such as packet replication, multiplexing, filtering, time stamping, aggregation and capture.

Application	Overview	Key Features	Use it for...
<b>MetaWatch</b>	Advanced network monitoring	<ul style="list-style-type: none"> <li>Tapping</li> <li>Large scale, lossless tap aggregation</li> <li>Multi-port data capture</li> <li>Sub-nanosecond precise time stamping</li> <li>Deep buffering (32 GB)</li> </ul>	<ul style="list-style-type: none"> <li>In-depth network monitoring and visibility</li> <li>Improved network reliability &amp; troubleshooting problems</li> <li>Market data &amp; packet capture</li> <li>Accurate latency measurement &amp; monitoring</li> <li>Regulatory compliance (MiFID II - RTS 25)</li> </ul>
<b>MetaMux</b>	Low-latency multiplexing	<ul style="list-style-type: none"> <li>Data aggregation in 39 nanoseconds</li> <li>Deterministic jitter</li> <li>Packet statistics</li> <li>BGP &amp; PIM support</li> </ul>	<ul style="list-style-type: none"> <li>Ultra-low latency network connectivity for trading</li> <li>Market data fan-out and data aggregation for order entry at nanosecond levels</li> </ul>
<b>MultiAccess*</b>	Connection sharing with enhanced security	<ul style="list-style-type: none"> <li>Low-latency multiplexing and security from 55 nanoseconds</li> <li>ACL-based configurable filtering</li> <li>Easy to deploy data privacy for connection sharing</li> </ul>	<ul style="list-style-type: none"> <li>Secure network connection sharing</li> <li>Providing sponsored access to multiple clients</li> <li>Multi tenant exchange access</li> <li>Low latency interconnect sharing</li> </ul>
<b>SwitchApp</b>	Low-latency L2/L3 switch	<ul style="list-style-type: none"> <li>Ultra-low latency packet switching in 89 -250 ns depending on profile selection</li> <li>Full featured L2/L3 switching pipeline powered by EOS</li> <li>Varying bandwidth profiles to provide up to 480 Gbps for 10G and 600Gbps for 25G</li> </ul>	<ul style="list-style-type: none"> <li>Exchange-facing connectivity</li> <li>L2/L3 Multicast pub/sub</li> <li>Supporting Colo deployments with multiple concurrent connections</li> <li>Optimised distribution of traffic</li> </ul>

\* Not currently supported in EOS

## Custom Applications & FPGA Development Kit

FPGA developers can write custom applications for the 7130LBR Series with Arista's FPGA Development Kit (FDK). The FDK includes API documentation, sample code, and IP cores to streamline development. Arista development toolkits enable complete and unfettered access to the facilities provided by the in-system FPGAs.

IP Core	Features
10GbE MAC/PHY	<ul style="list-style-type: none"> <li>Ultra low latency 10GbE ethernet PCS/PMA and MAC</li> <li>10GbE &amp; 1GbE support</li> <li>AXI4 stream interface</li> <li>Register interface for counters and link status</li> </ul>
25GbE MAC/PHY	<ul style="list-style-type: none"> <li>Ultra low latency 25GbE ethernet PCS/PMA and MAC</li> <li>25GbE support</li> <li>AXI4 stream interface</li> <li>Register interface for counters and link status</li> </ul>
Timestamper	<ul style="list-style-type: none"> <li>Complete precision timestamping system</li> <li>Includes timestamper core + sync &amp; control daemon</li> <li>PPS synchronization</li> <li>Example Start-of-Frame timestamping application</li> </ul>
Mux	<ul style="list-style-type: none"> <li>10GbE packet multiplexer</li> <li>Configurable scheduling algorithms</li> <li>Advanced eXtensible Interface (AXI4) streaming inputs</li> <li>Status and packet counters</li> <li>Storm control</li> </ul>

## Precision Timing (IEEE 1588v2 and PPS)

To meet the stringent timing and synchronization requirements in financial markets, telecom, and media & entertainment networks, Arista's 7130LBR delivers high precision in-band time and frequency distribution support via Precision Time Protocol (PTP, IEEE 1588v2) with optional Pulse-Per-Second (PPS) inputs for added accuracy. Leveraging a high stability on-board oscillator, 7130LBRs can achieve nanosecond-level time synchronization.

The 7130LBR features two front-panel SMA ports for PPS, one input and one output port. An internal PPS distribution network delivers PPS signals to the FPGA serving the network application. A single front-panel SMA port can output the internal 10Mhz PPS clock to downstream systems\*.

## High Availability and Flexibility

The Arista 7130LBR Series were designed for flexible deployment and continuous operations with system wide monitoring of both hardware and software components, simple serviceability and provisioning to prevent single points of failure.

Key features include:

- AC and DC power supply options
- Front to Rear cooling with dynamic temperature control.
- Redundant, color coded, field serviceable power and cooling subsystems:
  - 1+1 hot-swappable platinum rated power supplies
  - N+1 hot-swappable fans
- Live software patching
- Self healing software with Stateful Fault Repair (SFR)

\*Not currently supported in EOS

## Integrated R3-Series Switch

The integrated switch in the 7130LBR Series offers a wide range of features for different applications. When connected directly to the front-panel interfaces through the crosspoint, it provides high-performance switching and routing capable of 2.4 Tbps of throughput. Its deep buffer virtual output queue (VOQ) architecture eliminates head-of-line (HOL) blocking and virtually eliminates packet drops even in the most congested network scenarios. An advanced traffic scheduler fairly allocates bandwidth between all virtual output queues while accurately following queue disciplines including weighted fair queueing, fixed priority, or hybrid schemes. As a result, the R3-Series switch can handle the most demanding data center requirements with ease, including mixed traffic loads of real-time, multicast, and storage traffic while still delivering low latency.

Using the crosspoint to mirror front-panel traffic, the switch can also be used out-of-band for monitoring layer 1 paths or FPGA links, saving valuable FPGA logic. In tap aggregation mode, the switch supports time stamping, traffic steering, and N:M mirroring with arbitrary aggregation groups.

## FlexRoute™

The Arista FlexRoute Engine provides support for the full internet routing table, in hardware, with IP forwarding at Layer 3 and with sufficient headroom for future growth in both IPv4 and IPv6 route scale to more than 1.4 million routes. The innovative FlexRoute Engine with its patented algorithmic approach to building layer 3 forwarding tables on Arista R-Series Universal Spine and Leaf platforms is unique to Arista and a key enabler in calling these platforms routers.

## Accelerated sFlow

sFlow is a powerful tool used commonly by network operators for advanced network telemetry, capacity planning, security analysis and quality of experience monitoring. Traditional sFlow utilizes a system CPU for processing samples of hundreds of thousands of flows. In modern high performance systems guaranteed high rate sampling requires the capability to both sample and process packet rates of billions of packets per second. With the R-Series Accelerated sFlow feature, the sampling and processing of flow samples into sFlow datagrams is handled via integrated sFlow engines capable of supporting 1:500 sampling rates on full wire speed systems or higher rates with selective sampling based on triggers and filters. All sFlow v5 information is included in the sFlow records ensuring consistent integration with existing standard sFlow collection and analysis tools and no loss of information.

## In-band Network Telemetry

In-band network telemetry, or INT, is a standards-based approach to providing deep visibility into traffic in real-time, with no impact on switch performance. INT provides per-flow monitoring of traffic drops, latency, congestion and the network path. INT information can be exported in IPFIX or sFlow formats to a management system or collector such as Arista CloudVision, for predictive analytics and deep forensics to measure latency per device and across the network, trace packets and reconstruct path topology as well as detecting hot-spots. In-band Network Telemetry is available on the R-Series switch, with the ability to originate, pass and terminate, along with mirroring to external collectors.

R-Series Switch Profiles		
Profile	L3	Balanced
ARP Entries	88k	80k
MAC Addresses	224k	224k
IPv4 Unicast Routes	1450k	800k
Additional IPv4 Unicast Routes with FlexRoute	+ 1792k	+ 1792k
IPv6 Unicast Routes	433-483k	250-267k
Multicast Routes	128k	128k
TCAM ACL Entries (Per chip)	24k	24k
Traffic Policy ACL IPv4 Prefixes	30k	30k
Traffic Policy ACL IPv6 Prefixes	10k	10k
ECMP	512-Way	512-Way

## Layer 2 Features

- 802.1w Rapid Spanning Tree
- 802.1s Multiple Spanning Tree Protocol
- Rapid Per VLAN Spanning Tree (RPVST+)
- 4096 VLANs
- Q-in-Q
- 802.3ad Link Aggregation/LACP
  - 256 Ports / Channel
  - 1024 groups per system (subject to system density)
- MLAG (Multi-Chassis Link Aggregation)
  - Uses IEEE 802.3ad LACP
  - 512 ports per MLAG
- 802.1Q VLANs/Trunking
- 802.1AB Link Layer Discovery Protocol
- 802.3x Flow Control \*
- Jumbo Frames (9216 Bytes)
- IGMP v1/v2/v3 snooping
- Storm Control

## Layer 3 Features

- Static Routes
- Routing Protocols: OSPF, OSPFv3, BGP, MP-BGP, IS-IS, and RIPv2
- BGP FlowSpec, BMP, BGP-RPKI, PIC
- 512-way Equal Cost Multipath Routing (ECMP)
- VRF, Inter-VRF Route Leaking
- Bi-Directional Forwarding Detection (BFD)
- Unicast Reverse Path Forwarding (uRPF)
- VXLAN Bridging and Routing
- VRRP
- Virtual ARP (VARP)
- Policy Based Routing (PBR)
- Route Maps
- RCF

## Multicast

- IGMP v2/v3
- MLD v2
- Protocol Independent Multicast (PIM-SM / PIM-SSM)
- PIM-Bidir \*
- Anycast RP (RFC 4610)
- Multicast Source Discovery Protocol (MSDP)

## Advanced Monitoring and Provisioning

- Latency Analyzer and Microburst Detection (LANZ)
  - Configurable Congestion Notification (CLI, Syslog)
  - Streaming Events (GPB Encoded)
- Zero Touch Provisioning (ZTP)
- Advanced Mirroring
  - Port Mirroring (14 sessions)
  - Enhanced Remote Port Mirroring
  - SPAN/TAP M:N Aggregation
  - L2/3/4 Filtering
- Post-card Telemetry

- Advanced Event Management suite (AEM)
  - CLI Scheduler
  - Event Manager
  - Event Monitor
  - Linux tools
- Integrated packet capture/analysis with TCPDump
- Restore and Configure from USB
- RFC 3176 sFlow

## MPLS Support

- LDP, RSVP-TE, Segment Routing (SR), SR-TE, BGP-LU, BGP-LS, TE-FRR, TI-LFA
- L3VPN, 6PE/6vPE, L2VPN - EoMPLS PWEs, VPLS\*, EVPN-MPLS Gateway
- EVPN (L2 and L3), EVPN-MPLS, EVPN A-A, EVPN-VPWS, EVPN-DCI\*, EVPN-Multicast

## Security Features

- Control Plane Protection (CPP)
- Ingress / Egress ACLs using L2, L3, L4 fields
- Ingress / Egress ACL Logging and Counters
- MAC ACLs
- ACL Deny Logging
- ACL Counters
- Atomic ACL Hitless restart
- DHCP Relay / Snooping
- MACsec (802.1AE)
- TACACS+
- RADIUS
- ARP trapping and rate limiting

## Quality of Service (QoS) Features

- Up to 8 queues per port
- Strict priority queueing
- 802.1p based classification
- DSCP based classification and remarking
- Egress shaping / Weighted round robin (WRR)
- WFQ, CIR\*, ETS\*, Fixed Priority
- Policing / Shaping, H-QoS
- Explicit Congestion Notification (ECN) marking
- 802.1Qbb Per-Priority Flow Control (PFC)

## Network Management

- CloudVision
- Configuration rollback and commit
- SNMP v1, v2, v3
- Management over IPv6
- Telnet and SSHv2
- Syslog
- AAA
- Industry Standard CLI
- System Logging
- Environment monitoring

## Precision Timing

- Synchronous Ethernet with ESMC
- IEEE 1588-2008 PTP T-GM, T-BC, T-TSC
- G.8275.1, G.8275.2
- G.8261, G.8264

## System Scalability

- 9216 Byte Jumbo Frame Support
- 8 Priority Queues per Port
- Large Scale Link Aggregation Groups (LAG)
  - 1024 x 16 Ports per LAG
  - 64 x 256 Ports per LAG
- Virtual Output Queueing
- Distributed Scheduler

## Standards Compliance

- 802.1D Bridging and Spanning Tree
- 802.1p QOS/COS
- 802.1Q VLAN Tagging
- 802.1w Rapid Spanning Tree
- 802.1s Multiple Spanning Tree Protocol
- 802.1AB Link Layer Discovery Protocol
- 802.3ad Link Aggregation with LACP
- 802.3x Flow Control
- 802.3ab 1000BASE-T
- 802.3z Gigabit Ethernet
- 802.3ae 10 Gigabit Ethernet
- 802.3ba 40 Gigabit Ethernet
- RFC 2460 Internet Protocol, Version 6 (IPv6)
- RFC 2461 Neighbor Discovery for IP Version 6 (IPv6)
- RFC 2462 IPv6 Stateless Address Autoconfiguration
- RFC 2463 Internet Control Message Protocol (ICMPv6)
- IEEE 1588-2008 Precision Time Protocol

## SNMP MIBs

- RFC 3635 EtherLike-MIB
- RFC 3418 SNMPv2-MIB
- RFC 2863 IF-MIB
- RFC 2864 IF-INVERTED-STACK-MIB
- RFC 2096 IP-FORWARD-MIB
- RFC 4363 Q-BRIDGE-MIB
- RFC 4188 BRIDGE-MIB
- RFC 2013 UDP-MIB
- RFC 2012 TCP-MIB
- RFC 2011 IP-MIB
- RFC 2790 HOST-RESOURCES-MIB
- RFC 3636 MAU-MIB
- RMON-MIB
- RMON2-MIB
- HC-RMON-MIB
- LLDP-MIB
- LLDP-EXT-DOT1-MIB
- LLDP-EXT-DOT3-MIB
- ENTITY-MIB
- ENTITY-SENSOR-MIB
- ENTITY-STATE-MIB
- ARISTA-ACL-MIB
- ARISTA-QUEUE-MIB
- RFC 4273 BGP4-MIB
- RFC 4750 OSPF-MIB
- ARISTA-CONFIG-MAN-MIB
- ARISTA-REDUNDANCY-MIB
- RFC 2787 VRRPv2MIB
- MSDP-MIB
- PIM-MIB
- IGMP-MIB
- IPMROUTE-STD-MIB
- SNMP Authentication Failure trap
- ENTITY-SENSOR-MIB support for DOM (Digital Optical Monitoring)
- User configurable custom OIDs

See EOS release notes for latest supported MIBs

1. Supported for internal switch interfaces.

2. FPGA-to-Switch lanes only. Front-panel lanes are 10G NRZ.

## Specifications

Switch Model	7130LBR-48S6QD	7130LBR-48S6YD
Front-Panel Ports	48x SFP+, 6x QSFP-DD (10G NRZ)	48x SFP28, 6x QSFP-DD (10G NRZ)
Layer 1 Throughput	1-10Gbps per lane	1-25Gbps per lane
Layer 1 Latency	From 4 ns	From 5 ns
FPGA	2x Xilinx® UltraScale+™ VU9P-3	2x Xilinx® UltraScale+™ VU9P-3
FPGA DRAM	32GB DDR4 per FPGA	32GB DDR4 per FPGA
FPGA Crosspoint Interfaces	48x 10GbE per FPGA	48x 10/25GbE per FPGA
R-Series Switch Throughput	1.5 Tbps	1.5 Tbps
R-Series Switch Packet Buffer	4 GB	4 GB
Internal Switch Interfaces	9x 25GbE lanes to each FPGA from J2C 96x 1/10GbE lanes to crosspoint 4x 10GbE to CPU	9x 25GbE lanes to each FPGA from J2C 96x 1/10/25GbE lanes to crosspoint 4x 10GbE to CPU
FPGA Development Kit (FDK)	Yes	Yes
Vitis™ Development Kit (VDK)	Yes <sup>1</sup>	Yes <sup>1</sup>
Clock	OCXO	OCXO
CPU	8-core x86	8-core x86
System DRAM / SSD	64 GB / 120 GB	64 GB / 120 GB
RS-232 Serial Ports	1 (RJ-45)	1 (RJ-45)
USB Ports	1	1
100/1000 Management Ports	1	1
PPS Input Ports (5V TTL, 50Ω or Hi-Z)	2	2
PPS Output Ports (5V TTL)	2	2
Hot-swap Power Supplies	2 (1+1 redundant)	2 (1+1 redundant)
Hot-swappable Fans	3 (N+1 redundant)	3 (N+1 redundant)
Reversible Airflow Option	Yes	Yes
Typical/Max Power Draw <sup>2</sup>	TBD	TBD
Rack Units	1 U	1 U
Size (WxHxD)	17.32 x 1.73 x 25.75 inches (44.0 x 4.4 x 65.4 cm)	17.32 x 1.73 x 25.75 inches (44.0 x 4.4 x 65.4 cm)
Weight	32.9 lbs (14.9 kg)	32.9 lbs (14.9 kg)
Fan Tray	FAN-7011H	FAN-7011H
Power Supplies	PWR-1511-AC or PWR-1511-DC	PWR-1512-AC or PWR-1511-DC
EOS Feature Licenses	Group 4	Group 4
Minimum EOS	4.30.2F	4.36.0F

1. Not currently supported in EOS

2. Typical power consumption measured at 25C ambient with 50% load

## Power Supply Specifications

Power Supply	PWR-2421-HV	PWR-1512-AC	PWR-1511-AC	PWR-1511-DC
Input Voltage	180-205V AC 192-400VDC	200-240V AC	200-240V AC	-48 to -60 VDC
Typical Input Current	<14A at 200V AC	9.6A	9.6A	38A Max (-48V)
Input Frequency	50/60Hz AC or DC	50/60Hz	50/60Hz	DC
Output Power	2400W	1500W	1500W	1500W
Input Connector	SAF-D	IEC 320-C13	IEC 320-C13	AWG #6 Max
Efficiency (Typical)	96%	93% Platinum	93% Platinum	92%

## Environmental Characteristics (48S6QD)

Operating Temperature <sup>1</sup>	0 to 40°C (32 to 104°F)
Operating Temperature Reverse Airflow	0 to 35°C (32 to 95°F)
Storage Temperature	-40 to 70°C (-40 to 158°F)
Relative Humidity	5 to 95%
Operating Altitude	0 to 10,000 ft, (0-3,000m)

## Environmental Characteristics (48S6YD)

Operating Temperature <sup>1</sup>	0 to 35°C (32 to 95°F)
Operating Temperature Reverse Airflow	0 to 35°C (32 to 95°F)
Storage Temperature	-40 to 70°C (-40 to 158°F)
Relative Humidity	5 to 95%
Operating Altitude	0 to 10,000 ft, (0-3,000m)

## Standards Compliance

EMC	FCC Class A, ICES-003, EN 55032, EN IEC 61000-3-2:2019, EN 61000-3-3
Immunity	EN 55035 EN 300 386
Safety	EN 62368-1:2014 + A11:2017 IEC-62368-1:2014
Certifications	BSMI (Taiwan) CE (European Union) KCC (South Korea) NRTL (North America) RCM (Australia/New Zealand) UKCA (United Kingdom) VCCI (Japan)
European Union Directives	2014/53/EU Radio Equipment Directive 2014/35/EU Low Voltage Directive 2014/30/EU EMC Directive 2012/19/EU WEEE Directive 2011/65/EU RoHS Directive 2015/863/EU Commission Delegated Directive
Further information	<a href="#">Product Certification Portal</a>

1. Certain airflow configurations or the use of higher power or reduced temperature range optics may reduce maximum operating temperature.

## Arista Optics and Cables

The Arista 7130LBR Series supports a wide range of pluggable optics and cables. For details about the different optical modules and the minimum EOS Software release required for each of the supported optical modules, visit <https://www.arista.com/en/products/transceivers-cables>.

### Supported Optics and Cables

Interface Type	QSFP-DD (NRZ) Ports
400GBASE-CR8 <sup>1</sup>	QSFP-DD to QSFP-DD: 1m-2.5m lengths
200GBASE-CR4 <sup>1</sup>	QSFP-DD to 2xQSFP: 1m to 2.5m lengths
100GBASE-CR4 <sup>1</sup>	QSFP-DD to 2xQSFP: 1m to 3m lengths
100GBASE-CR2 <sup>1</sup>	QSFP-DD to 4xQSFP: 1m to 3m lengths
50GBASE-CR <sup>1</sup>	QSFP-DD to 8xQSFP: 1m to 3m lengths
25GBASE-CR <sup>1</sup>	QSFP-DD to 8xSFP: 1m to 3m lengths
10GBASE-CR	QSFP+ to 4xSFP+: 0.5m-5m lengths
40GBASE-CR4	QSFP+ to QSFP+: 0.5m-5m lengths
40GBASE-AOC	3m to 100m lengths
40GBASE-UNIV	150m OM3 / 150m OM4, 500m SM
40GBASE-SRBD	100m OM3 /150m OM4 Duplex MMF
40GBASE-SR4	100m OM3 /150m OM4 Parallel MMF
40GBASE-XSR4	300m OM3 /400m OM4 Parallel MMF
40GBASE-PLRL4	1km (1km 4x10G LR/LRL)
40GBASE-PLR4	10km (10km 4x10G LR/LRL)
40GBASE-LRL4	1km Duplex SM
40GBASE-LR4	10km Duplex SM
40GBASE-ER4	40km Duplex SM

### Supported Optics and Cables

10GbE	SFP+ ports
10GBASE-CR	SFP+ to SFP+: 0.5m-5m lengths
10GBASE-AOC	SFP+ to SFP+: 3m-30m lengths
10GBASE-SRL	100m OM3 /150m OM4 Duplex MMF
10GBASE-SR	300m OM3 / 400m OM4 Duplex MMF
10GBASE-LRL	1km Duplex SM
10GBASE-LR	10km Duplex SM
10GBASE-ER	40km Duplex SM
10GBASE-ZR	80km Duplex SM
10GBASE-T	Up to 30m over Cat6a
10GBASE-DWDM	80km Duplex SM
1GbE SX/LX/TX	550m / 10km / 100m

1. 7130LBR QSFP-DD ports operate as 8 x 10G NRZ lanes only. Breakout cables can be used to expose each lane in different groupings and do not add higher speed support.

Product Number	Product Description
DCS-7130LBR-48S6YD-F	Arista 7130 Series, with 48 SFP28, 6 QSFP-DD, Layer 1 X-point, 2x VU9P-3 FPGA, R series switch, front-to-rear air, 2xAC
DCS-7130LBR-48S6YD-R	Arista 7130 Series, with 48 SFP28, 6 QSFP-DD, Layer 1 X-point, 2x VU9P-3 FPGA, R series switch, rear-to-front air, 2xAC
DCS-7130LBR-48S6YD#	Arista 7130 Series, with 48 SFP28, 6 QSFP-DD, Layer 1 X-point, 2x VU9P-3 FPGA, R series switch, configurable fans & psu
DCS-7130LBR-48S6QD-F	Arista 7130 Series, with 48 SFP+, 6 QSFP-DD, Layer 1 X-point, 2x VU9P-3 FPGA, R series switch, front-to-rear air, 2xAC
DCS-7130LBR-48S6QD-R	Arista 7130 Series, with 48 SFP+, 6 QSFP-DD, Layer 1 X-point, 2x VU9P-3 FPGA, R series switch, rear-to-front air, 2xAC
DCS-7130LBR-48S6QD#	Arista 7130 Series, with 48 SFP+, 6 QSFP-DD, Layer 1 X-point, 2x VU9P-3 FPGA, R series switch, configurable fans & psu
LIC-FIX-4-E	Enhanced L3 License for Arista Group 4 Fixed switches, (BGP, OSPF, ISIS, PIM, NAT)
LIC-FIX-4-V	Virtualization license for Group 4 Arista Fixed switches (VMTracer and VXLAN)
LIC-FIX-4-V2	EOS Extensions, Security and Partner Integration license for Arista Group 4 Fixed switches
LIC-FIX-4-Z	Monitoring & Automation license for Arista Group 4 Fixed switches (ZTP, LANZ, TapAgg, OpenFlow)
LIC-FIX-4-FLX-L	FLX-Lite License for Arista Fixed switches Group 4 - Full Routing Up to 256K Routes, EVPN, VXLAN, SR, base MPLS LSR (no TE or link/node protection)
LIC-FIX-4-FLX	FLX License for Arista Fixed switches Group 4 - Full Routing Up to 2M Routes, >24K ACL, EVPN, VXLAN, SR, Adv MPLS LSR with TE or link/node protection

## Optional Components and Spares

PWR-1511-AC-RED	Arista PSU, 1RU, AC, 1500W, FORWARD, 73.5MM
PWR-1511-AC-BLUE	Arista PSU, 1RU, AC, 1500W, REVERSE, 73.5MM
PWR-1511-DC-RED	Arista PSU, 1RU, DC/DC, 1500W, FORWARD, 73.5MM
PWR-1511-DC-BLUE	Arista PSU, 1RU, DC/DC, 1500W, REVERSE, 73.5MM
PWR-2421-HV-RED	Arista 2400W HV AC and DC Power Supply, FORWARD, 73.5MM
FAN-7011H-F	Spare fan module for Arista 7000 Series 1RU High Speed Fan (front-to-rear airflow)
FAN-7011H-R	Spare fan module for Arista 7000 Series 1RU High Speed Fan (rear-to-front airflow)
KIT-7101-D	Spare tool-free accessory kit (v3) for Arista switches. 4-post mount with deep chassis adapters. (2 x C13-C14, 2m)
KIT-7101-RK	Spare tool-free 4-post mount kit (v3). (Compatible with KIT-ADJ-RLR)
KIT-7101-LD-RK	Spare extended tool-free 4-post mount kit (v3), includes deep chassis adapters. (82 - 107cm / 32 - 42")
KIT-ADJ-RLR	Spare adapters for deep tool-free switches (pair) (Compatible with KIT 7101/7102 only)
KIT-GND-EXT-1RU	Arista 7000 Series 1RU Ground Extender Kit for NEBS compliance.

### Warranty

The Arista 7130LBR series switches come with a one-year limited hardware warranty, which covers parts, repair, or replacement with a 10 business day turn-around after the unit is received.

### Service and Support

Support services including next business day and 4-hour advance hardware replacement are available. For service depot locations, please see: <http://www.arista.com/en/service>

#### Headquarters

5453 Great America Parkway  
Santa Clara, California 95054  
408-547-5500

#### Support

[support@arista.com](mailto:support@arista.com)  
408-547-5502  
866-476-0000

#### Sales

[sales@arista.com](mailto:sales@arista.com)  
408-547-5501  
866-497-0000

Copyright 2026 Arista Networks, Inc. The information contained herein is subject to change without notice. Arista, the Arista logo and EOS are trademarks of Arista Networks. Other product or service names may be trademarks or service marks of others.

[www.arista.com](http://www.arista.com)

