

# Product End of Life Instructions

## APC Smart-UPS Ultra On-Line, Lithium-Ion, Rack/Tower UPS



## Potential disassembly risks

The information provided in this document assumes that the product is completely de-energized and uninstalled (refer to the instructions provided in the appropriate product manuals).

Dismantling/disassembling the product may entail hazards caused by, for example, sharp edges, chemical aggression or ejected parts.

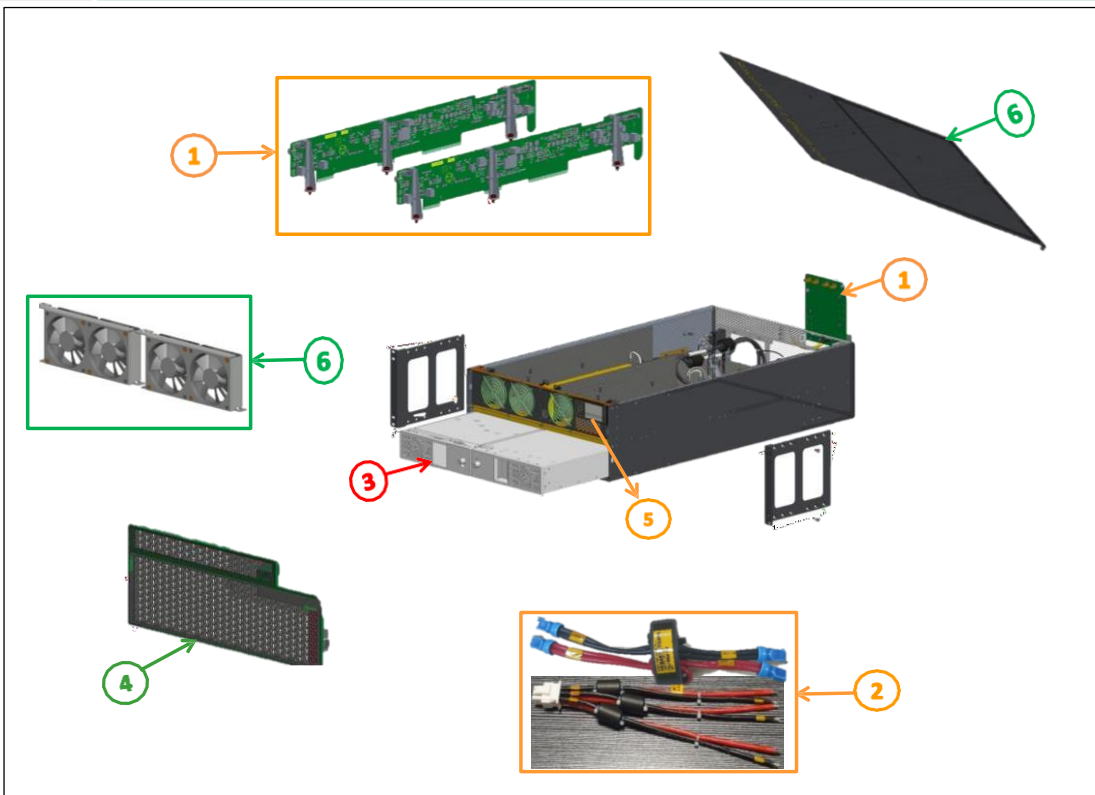
### WARNING

#### HAZARD OF ARC FLASH OR FIRE

- Disconnect battery terminals before disassembly
- Avoid any electrical connection between the terminals


**Failure to follow these instructions can result in death or serious injury.**

## End of Life Instructions



Recommendation	Number on drawing	Component / Material	Weight (in g)	Comment
To be depolluted	1	Electronic Communication Board	21,302.42	16 X PCBA > 10 cm <sup>2</sup>
To be depolluted	2	Cable	1,347.65	Cable (high current and optical fiber)
Potential hazards	3	Batteries	24,017.50	Lithium-ion battery
To be depolluted	4	ABS with brominated flame retardants	439.85	Plastics with brominated flame
To be depolluted	5	LCD MODULE 2" TFT TOUCH PNL	32.00	1 X Display panel
To be depolluted	6	Others	34,335.21	Fan, heat sink, speaker, chasis, cover, housing etc

## Product description

Manufacturer identification	Schneider Electric Industries SAS
Brand name	APC
Product function	This APC Smart-UPS Ultra On-Line, Lithium-ion Uninterruptible Power Supply is designed for IT professionals or network administrators to maintain business uptime and continuity. This Smart-UPS offers cloud-based remote power monitoring, UPS firmware upgrades, remote diagnostics and proactive email notifications with recommended actions. The UPS can connect to EcoStruxure IT or third-party centralized management platforms
Product reference	SRTL10KRM4UT
Additional similar product references	<p>SRTL10KRM4UI SRTL10KRM4UJ SRTL8KRM4UI SRTL8KRM4UJ SRTL8KRM4UT SRTL5KRM2UI SRTL5KRM2UI-HW SRTL5KRM2UJ SRTL5KRM2UJ-HW SRTL5KRM2UT SRTL5KRM2UT-5KRMTF SRTL5KRM2UT-5KTF SRTL5KRM2UT-HW</p> <p>This End of Life Instruction is applicable to any products in the Smart-UPS Ultra Online, Lithium-ion product range Above may not list all applicable products</p>
Total representative product mass	55000 g
Representative product dimensions	175mm X 432mm X 832mm
Accessories	No
Date of information release	4/14/2025 

## Additional information

Legal information	This product family is in the scope of European Union directive 2012/19/EU on Waste Electrical and Electronic Equipment (WEEE). The product family must be disposed according to the legislation of the country. This document is intended for use by end of life recyclers or treatment facilities. It provides the basic information to assure an appropriate end of life treatment for the components and materials of the product.
In case of special transportation: transportation method	No
Recyclability potential	<b>39%</b> The recyclability rate was calculated from the recycling rates of each material making up the product based on REEECY'LAB tool developed by Ecosystem, for components/materials not covered by the tool, data from the EIME database and the related PSR was taken. If no data was found a conservative assumption was used (0% recyclability).

Schneider Electric Industries SAS

Country Customer Care Center  
<http://www.se.com/contact>

35, rue Joseph Monier

CS 30323

F- 92500 Rueil Malmaison Cedex  
RCS Nanterre 954 503 439  
Capital social 928 298 512 €

[www.se.com](http://www.se.com)

ENVEOLI2504005\_V1

Published by Schneider Electric

© 2023 - Schneider Electric – All rights reserved

4-2025