

## APC™ Smart-UPS™ 750/1000 VA, 120 VAC, Rack-Mount 1U

### Important Safety Instructions

SAVE THESE INSTRUCTIONS - This manual contains important instructions that should be followed during installation and maintenance of the Smart-UPS and batteries.



This is the “Read user manual” symbol. Read the user documentation to become familiar with the equipment.

Read these instructions carefully and look at the equipment to become familiar with the device before trying to install or operate it.

The following special messages may appear throughout this document or on the equipment to warn of potential hazards or to call attention to information that clarifies or simplifies a procedure.



The addition of this symbol either to a “Danger” or “Warning” safety label indicates that an electrical hazard exists which will result in personal injury if the instructions are not followed.



This is the safety alert symbol. It is used to alert you to potential personal injury hazards. Obey all safety messages that follow this symbol to avoid possible injury or death.

#### **DANGER**

**DANGER** indicates a hazardous situation which, if not avoided, **will result in** death or serious injury.

#### **WARNING**

**WARNING** indicates a hazardous situation which, if not avoided, **could result in** death or serious injury.

#### **CAUTION**







**CAUTION** indicates a hazardous situation which, if not avoided, **could result in** minor or moderate injury.

#### **NOTICE**

**NOTICE** is used to address practices not related to physical injury.

Electrical equipment should be installed and operated only by qualified personnel. No responsibility is assumed by Schneider Electric for any consequences arising out of the use of this material.

# Product Handling Guidelines

					
<18 kg <40 lb	18-32 kg 40-70 lb	32-55 kg 70-120 lb	>55 kg >120 lb		


## Safety and General Information

**Inspect the package contents upon receipt. Notify the carrier and dealer if there is any damage.**

**Read the Safety Guide supplied with this unit before installing the UPS.**

- Adhere to all local and national electrical codes.
- This UPS is intended for indoor use only.
- Do not operate this UPS in direct sunlight, in contact with fluids, or where there is excessive dust or humidity.
- Be sure the air vents on the UPS are not blocked. Allow adequate space for proper ventilation.
- The battery typically lasts for two to five years. Environmental factors impact battery life. Elevated ambient temperatures, poor quality utility power, and frequent short duration discharges will shorten battery life.
- Connect the UPS power cable directly to a wall outlet. Do not use surge protectors or extension cords.

## Battery Safety

 <b>CAUTION</b>
<p><b>RISK OF HYDROGEN SULPHIDE GAS AND EXCESSIVE SMOKE</b></p> <ul style="list-style-type: none"> <li>• Replace the battery at least every 5 years or at the end of its service life, whichever is earlier.</li> <li>• Replace the battery immediately when the UPS indicates battery replacement is necessary.</li> <li>• Replace batteries with the same number and type of batteries as originally installed in the equipment.</li> <li>• Replace the battery immediately when the UPS indicates a battery overtemperature condition, or UPS internal overtemperature, or when there is evidence of electrolyte leakage. Power off the UPS, unplug it from the AC input, and disconnect the batteries. Do not operate the UPS until the batteries have been replaced.</li> <li>• *Replace all battery modules (including the modules in External Battery Packs) which are older than one year, when installing additional battery packs or replacing the battery module(s).</li> </ul> <p><b>Failure to follow these instructions could result in equipment damage and minor or moderate injury.</b></p>

\*Contact APC by Schneider Electric Worldwide Customer Support to determine the age of the installed battery modules.


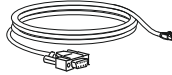
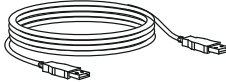
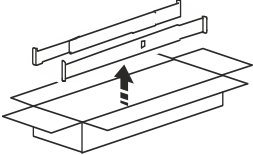

- Servicing of batteries should be performed or supervised by personnel knowledgeable about batteries and the required precautions.
- CAUTION: A battery can present a risk of electrical shock and high short-circuit current. Contact with any part of a grounded battery can result in electrical

shock. The following precautions should be observed when working on batteries:


- Wear rubber gloves and boots.
- Do not lay tools or metal parts on top of batteries.
- Disconnect charging source and load prior to installing or maintaining the battery.
- Remove battery grounds during installation and maintenance to reduce likelihood of shock.
- Remove the connection from ground if any part of the battery is determined to be grounded.

## Inventory

### All models

<p>Front Bezel</p> 	<p>Serial cable</p>  <p>Type A USB cable</p> 	<p>1U Rail Kit (with rails, cleats, screws)</p> 	<p>Installation Guide</p> 
--	--	---	---

## Installation

 **CAUTION**

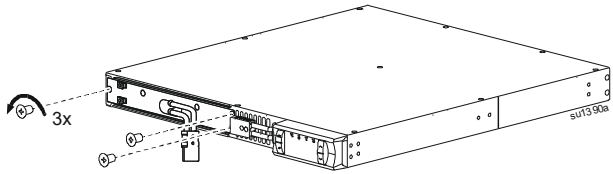
**RISK OF FALLING OBJECTS**

- The equipment is heavy. Always practice safe lifting techniques adequate for the weight of the equipment.
- Connect the battery after installing the UPS in a rack.

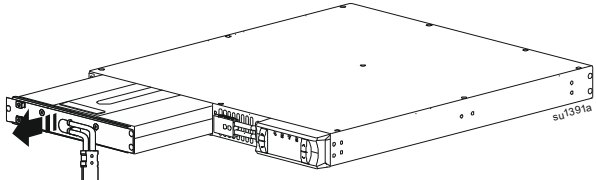
**Failure to follow these instructions could result in equipment damage and minor or moderate injury.**

## Remove the battery

**1** Remove 3 screws that secures the battery to the UPS.

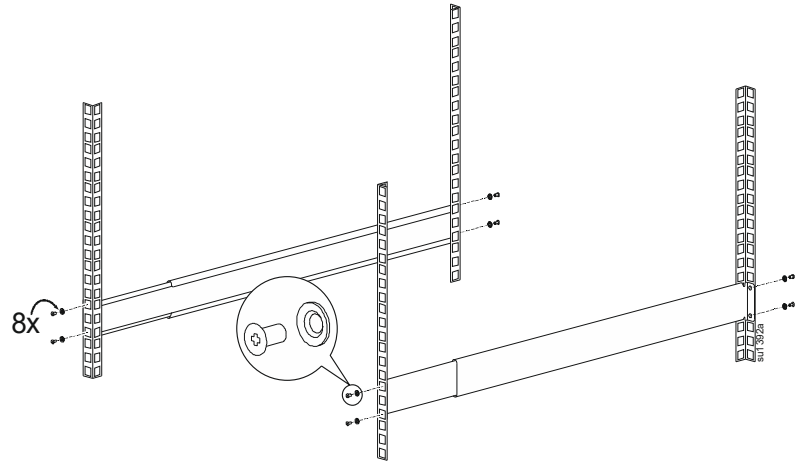


**2** Slide the battery out of the UPS holding the battery compartment door.  
**NOTE:** Do not pull the battery cable to slide the battery out from the UPS.



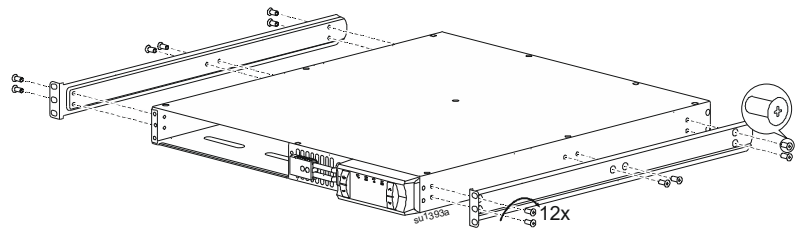
## Rack installation

- 1** Install the 1U Rail Kit included with the UPS. Refer to the installation instructions provided with the rail kit.

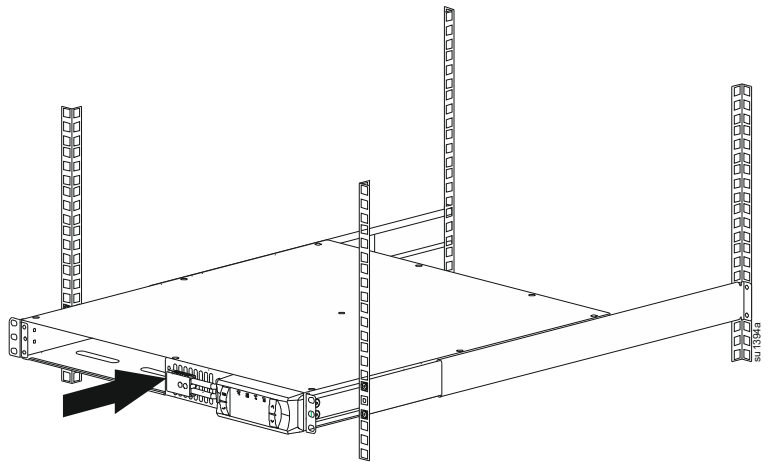


**NOTE:** Adjust the length of the rails to match the rack depth.

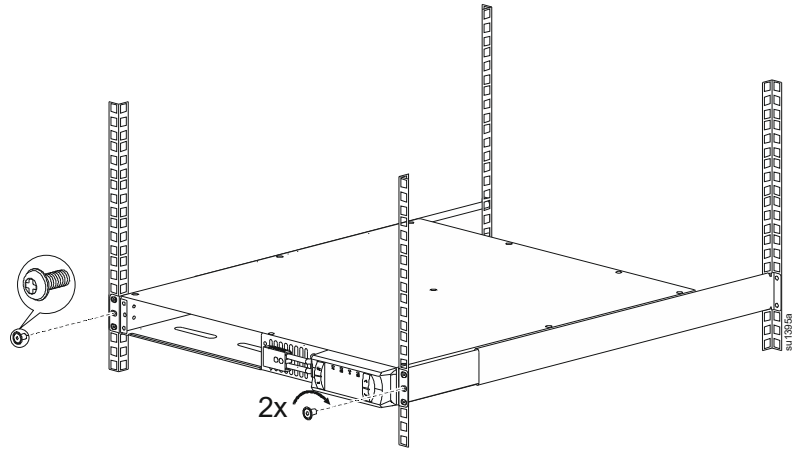
- 2** Secure the cleats to the UPS. Use six screws for each cleat.



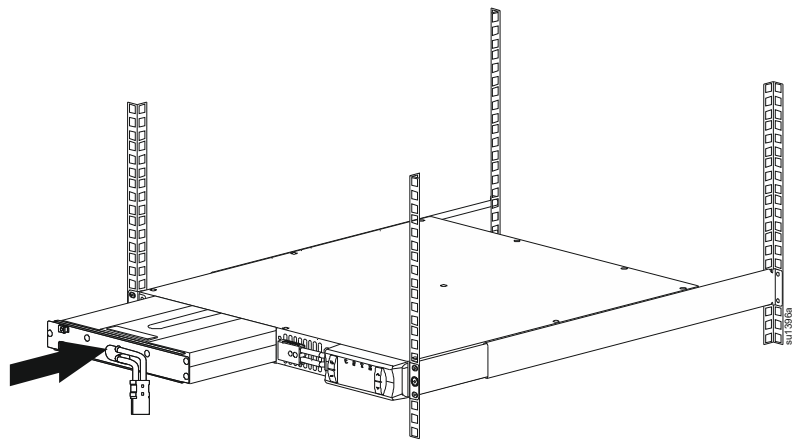
- 3** Install the UPS in the rack.



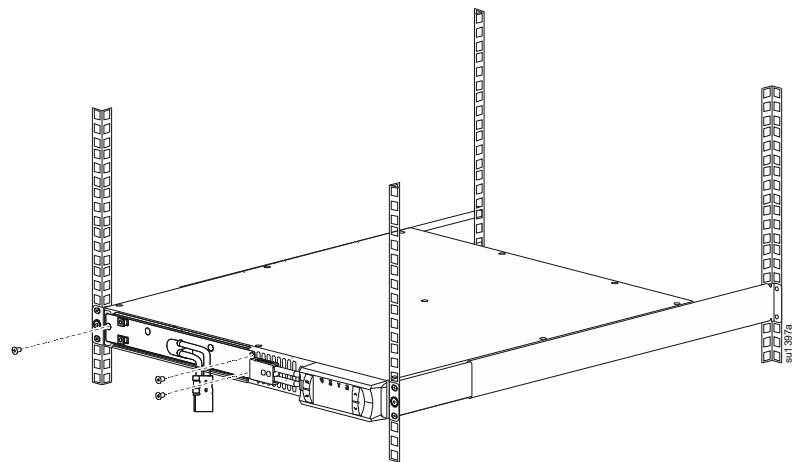
4 Secure the UPS to the rack.

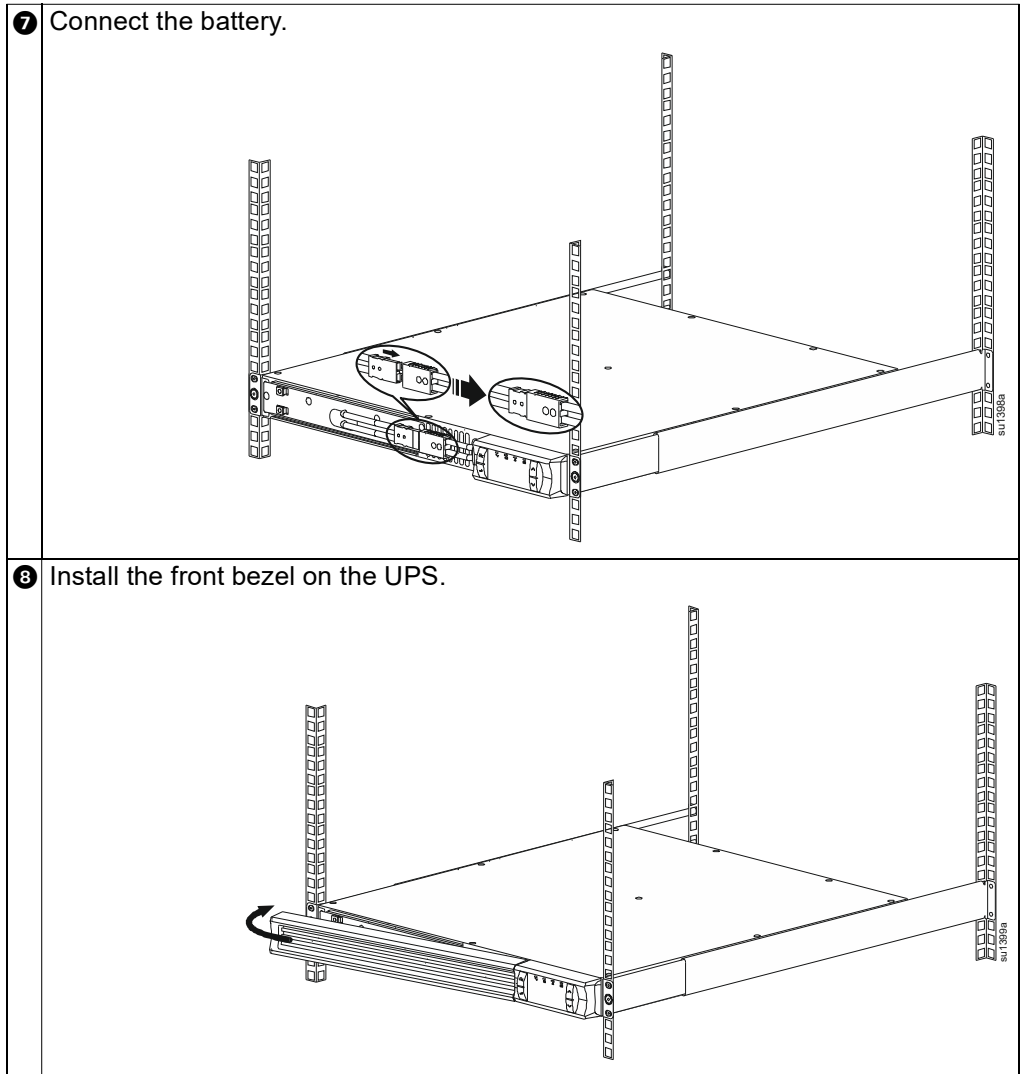


5 Install the battery in the UPS.

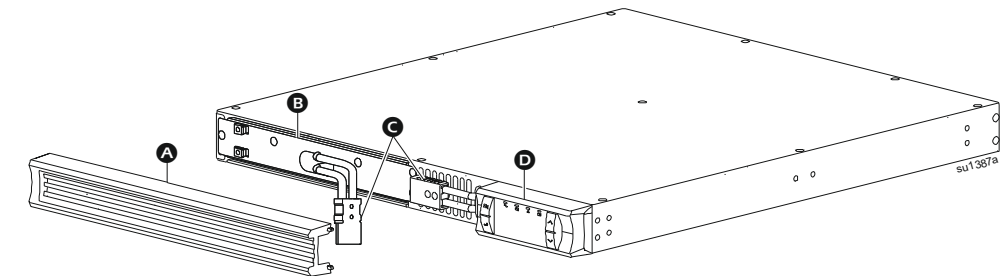


6 Secure the battery to the UPS using the screws removed in Step 1 in "Remove the battery" on page 3.



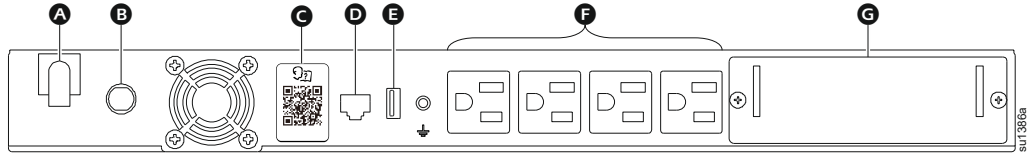


## Front panel features



<b>A</b>	Front Bezel
<b>B</b>	Battery
<b>C</b>	Battery connectors
<b>D</b>	Display interface

# Rear panel features



<b>A</b>	<b>Input power cord</b>
<b>B</b>	<b>Overload protector (Thermal circuit breaker)</b>
<b>C</b>	<b>QR Code for downloading product information</b>
<b>D</b>	<b>RJ45 connector - serial port (for monitoring the UPS)</b>
<b>E</b>	<b>USB port</b>
<b>F</b>	<b>Outlets</b>
<b>G</b>	<b>Smart slot for optional accessory card</b>

# Electrical connections

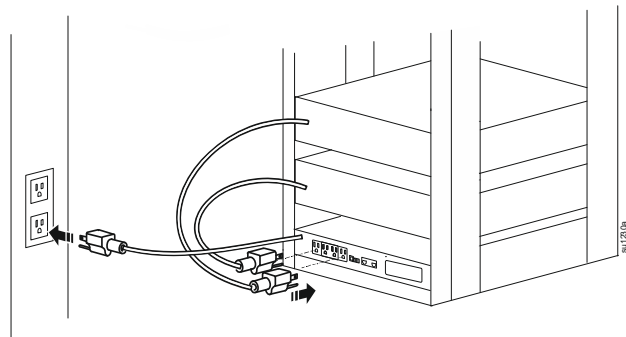
**CAUTION**

**RISK OF ELECTRIC SHOCK**

- Adhere to all local and national electrical codes.
- Wiring should be performed by qualified electrician.
- Always connect the UPS to a grounded outlet.

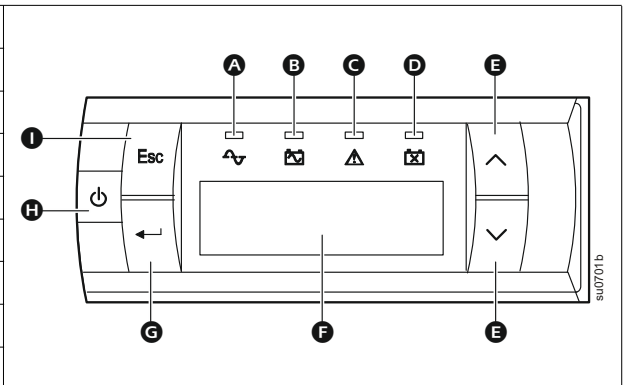
**Failure to follow these instructions could result in minor or moderate injury.**

**NOTE:** Outlet type and location may vary.



# Display Interface

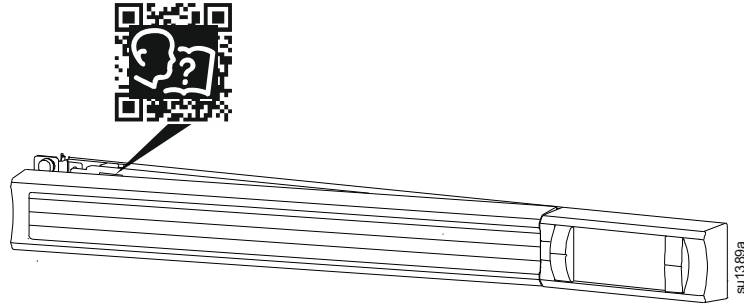
<b>A</b>	<b>Online LED</b>
<b>B</b>	<b>On Battery LED</b>
<b>C</b>	<b>Alert LED</b>
<b>D</b>	<b>Replace Battery LED</b>
<b>E</b>	<b>UP/DOWN buttons</b>
<b>F</b>	<b>Display screen</b>
<b>G</b>	<b>ENTER button</b>
<b>H</b>	<b>UPS Output ON/OFF button</b>
<b>I</b>	<b>ESCAPE button</b>



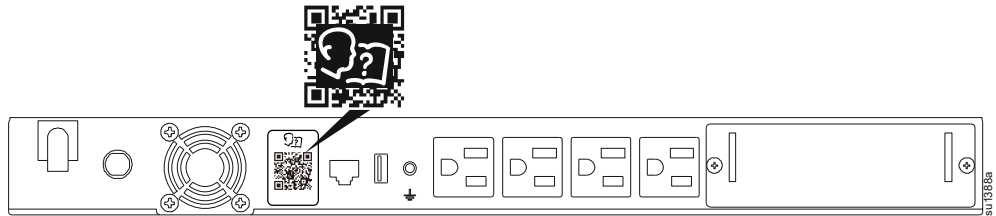
## QR Code for Downloading the Operation Manual

The QR Code for downloading the operation manual is available at 2 places on the UPS.

- Behind the front bezel. Remove the front bezel to access the QR code.



- On the rear panel of the UPS.



Locate the QR code and scan it for downloading the Operation Manual.